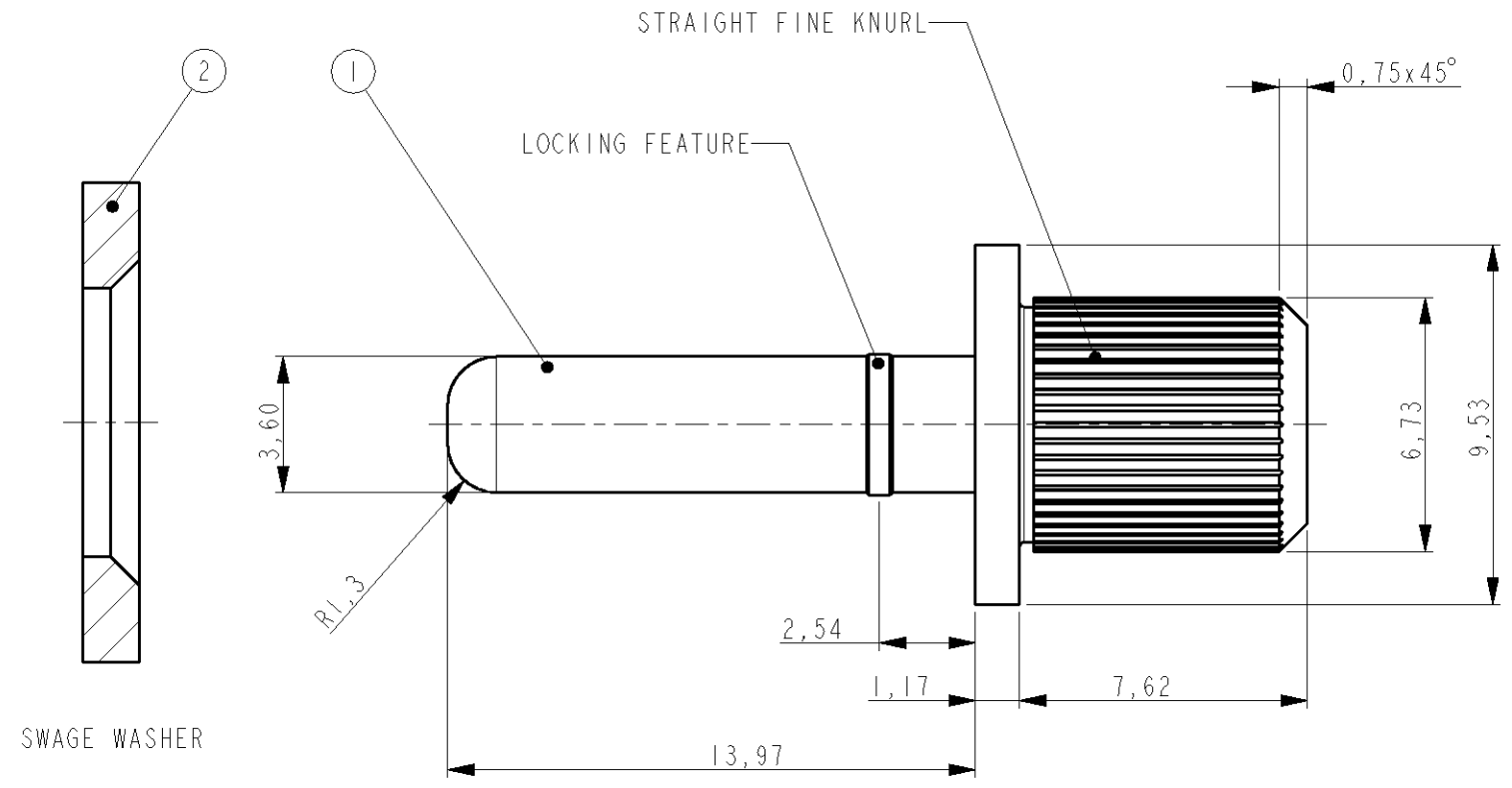
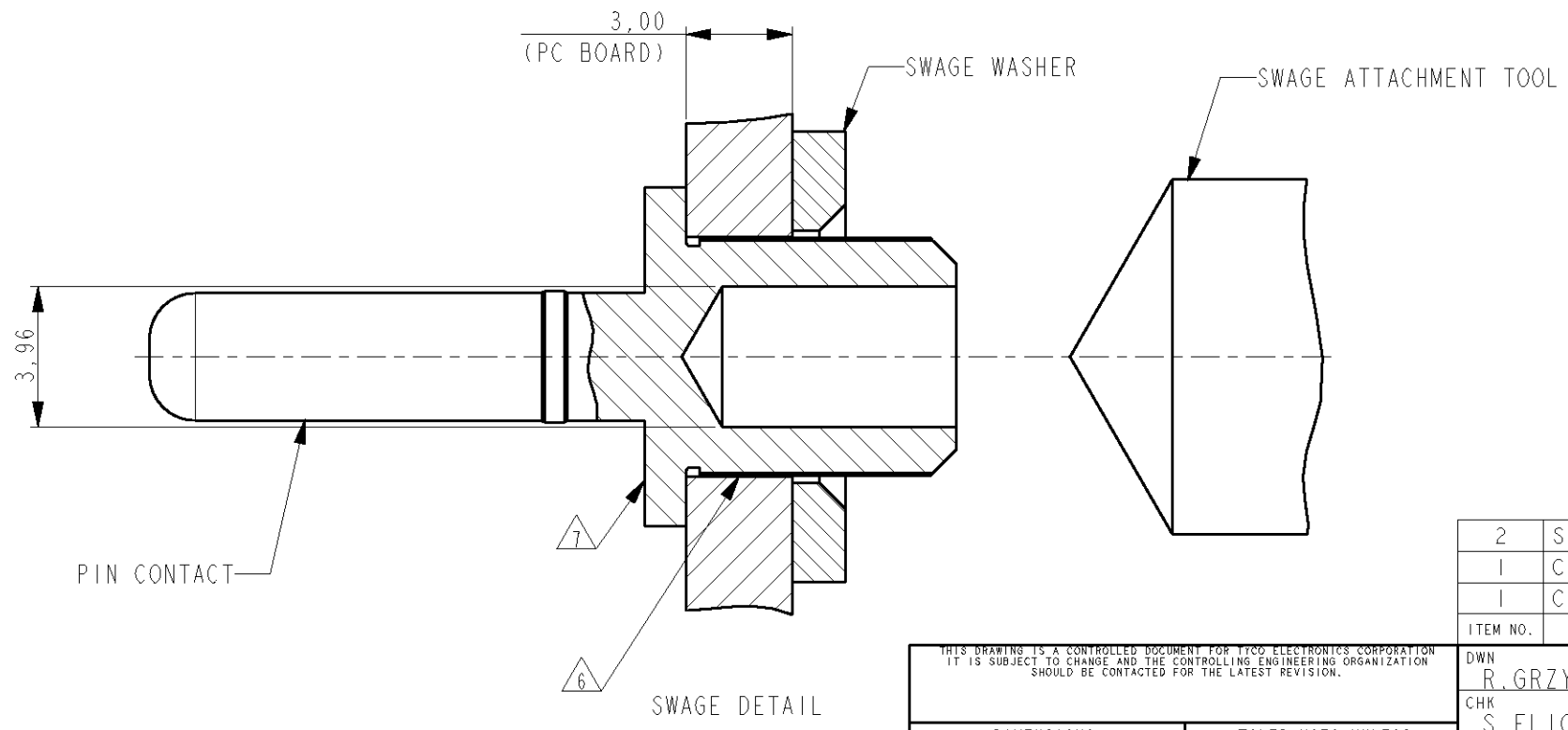


THIS DRAWING IS UNPUBLISHED. RELEASED FOR PUBLICATION
 © COPYRIGHT - BY TYCO ELECTRONICS CORPORATION. ALL RIGHTS RESERVED.

LOC	DIST	REVISIONS					
H	-	P	LTR	DESCRIPTION	DATE	DWN	APVD
			A	RELEASED	03APR06	RG	SF
			B	ECR-08-017970	21JUL2008	JvdH	RL



- NOTES:
- 1 PART NUMBER CHANGES AND/OR DESIGN CHANGES AFFECTING ITEM INTERCHANGEABILITY REQUIRE PRIOR TYCO ELECTRONICS APPROVAL AND AUTHORIZATION BY REVISION TO THIS DRAWING.
 - 2 ITEMS PROVIDED TO THIS SPECIFICATION SHALL BE IDENTIFIED ON THE CONTAINER. WITH THE FOLLOWING INFORMATION: PART NUMBER&DATE CODE OF MANUFACTURE.
 - 3 MATERIAL: - PIN CONTACT : COPPER ALLOY
- SWAGE WASHER : STEEL.
 - 4 FINISH; -PIN CONTACT: SILVER 5,0μ MIN THK. OVER NICKEL 1,0μ MIN. THK.
 - 5 FINISH; -PIN CONTACT: GOLD 0,5μ MIN THK. OVER NICKEL 1,0μ MIN. THK.
 - 6 RECOMMENDED HOLE DIAMETER AFTER PLATING: ø6,60 +0,07 / -0,03
 - 7 RETAIN PIN CONTACT WITH SUPPORT TOOL BEFORE SWAGE OPERATION.



ITEM NO.	DESCRIPTION	MATERIAL	FINISH	QUANTITY
2	SWAGE WASHER 1,5MM THICK	STEEL		1
1	CONTACT PIN SIZE #8	COPPER ALLOY	5	1
1	CONTACT PIN SIZE #8	COPPER ALLOY	4	1

THIS DRAWING IS A CONTROLLED DOCUMENT FOR TYCO ELECTRONICS CORPORATION IT IS SUBJECT TO CHANGE AND THE CONTROLLING ENGINEERING ORGANIZATION SHOULD BE CONTACTED FOR THE LATEST REVISION.

DWN R.GRZYBOWSKI 04APR2008	Tyco Electronics Corporation 's-Hertogenbosch, Nederland
CHK S.FLICKINGER 03APR06	
APVD S.FLICKINGER 03APR06	NAME PIN CONTACT, SIZE NO.8 SWAGE MOUNT LOCKING STYLE, PRESS FIT
PRODUCT SPEC -	SIZE A3
APPLICATION SPEC -	CAGE CODE 00779
WEIGHT -	DRAWING NO C=6648221
MATERIAL -	RESTRICTED TO -
FINISH -	SCALE :
	SHEET OF
	REV B

CUSTOMER DRAWING